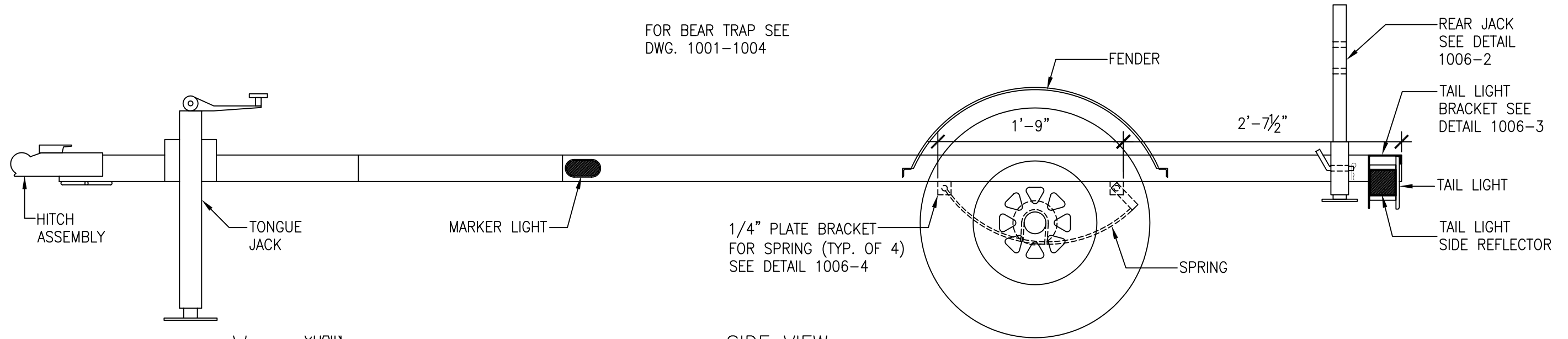
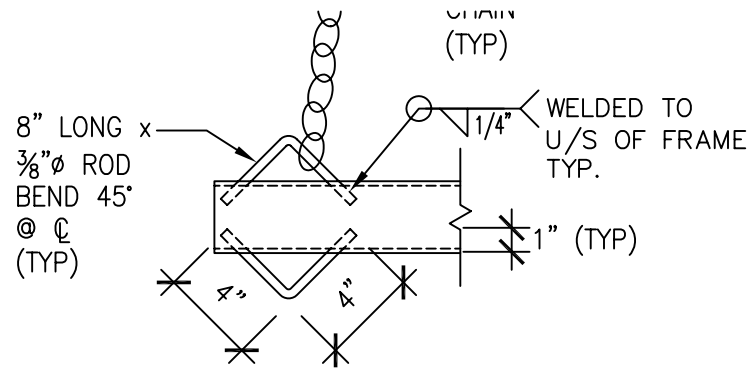


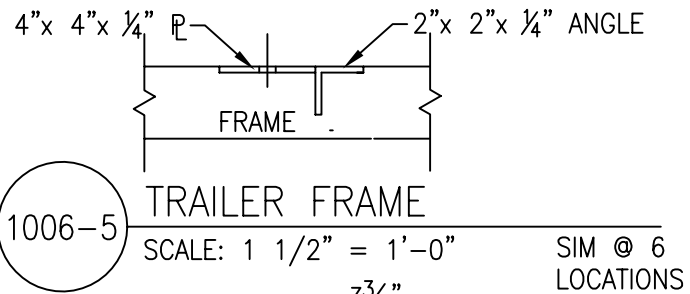
FOR BEAR TRAP SEE
DWG. 1001-1004



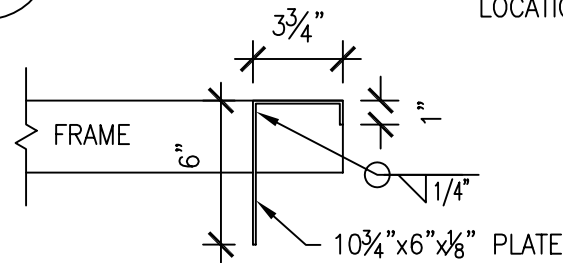
SIDE VIEW
SCALE: 1" = 1'-0"



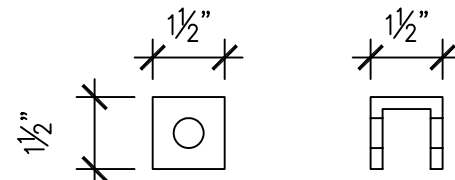
1006-1 SAFETY CHAIN SUPPORT DETAIL
SCALE: 1 1/2" = 1'-0"



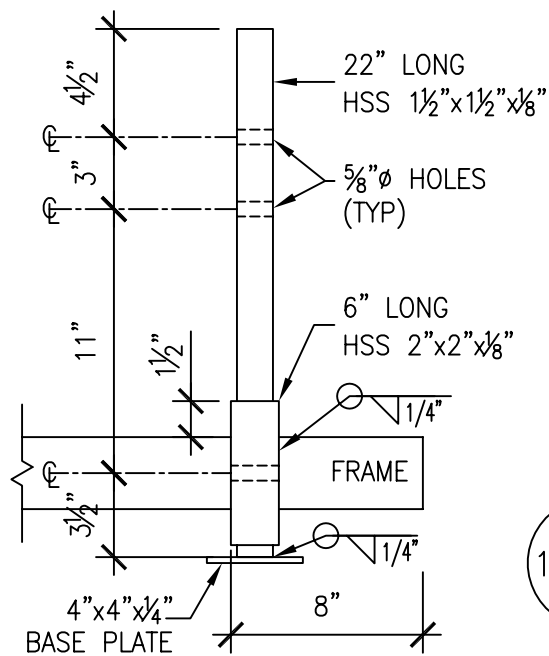
1006-5 TRAILER FRAME
SCALE: 1 1/2" = 1'-0" SIM @ 6 LOCATIONS



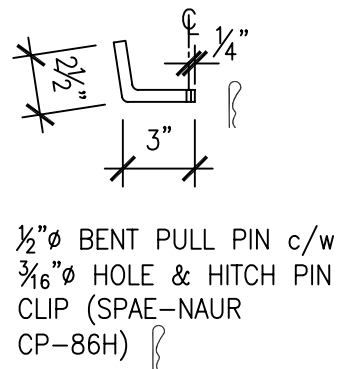
1006-3 TAIL LIGHT BRACKET DETAIL
SCALE: 1 1/2" = 1'-0" 2 REQ'D



1006-4 SPRING BRACKET DETAIL
SCALE: 3" = 1'-0" 4 REQ'D



1006-2 REAR JACK DETAIL
SCALE: 1 1/2" = 1'-0" 2 REQ'D



PARTS LIST

PART	QTY.	DESCRIPTION
AXLE	1	2000 lb STRAIGHT AXLE 60" HUB FACE & 1 1/8" SPINDLES
HUB ASSEMBLY	2	1000 lb 5 BOLT HUB ASSEMBLY c/w 1 1/8" BEARING KIT
SPRINGS	2	2000 lb SPRING SET - 3 LEAFS 21" DOUBLE EYE.
TIRE & WHEEL	2	ST205/75D14 TIRE AND 5 BOLT RIM.
FENDER	2	8"x28" SQUARE TYPE FENDER
HITCH ASSEMBLY	1	2"x3" TRAILER HITCH ASSEMBLY c/w TWO 26" SAFETY CHAINS
TONGUE JACK	1	2000 lb TRAILER TONGUE JACK c/w MOUNTING TUBE
LIGHT KIT	2	SUBMERSIBLE TYPE TRAILER LIGHT KIT c/w TWO MARKER LIGHTS


 Ministry of
Natural
Resources

PROJECT TRAILER			
DRAWING TITLE SIDE VIEW, DETAILS & PARTS LIST			
SCALE AS SHOWN		DATE FEB. 11/04	
DWN. BY BCD	CHKD. BY KCB	DWG. No. 1006	REV. 0

NORTHWEST REGION
ENGINEERING SERVICES